

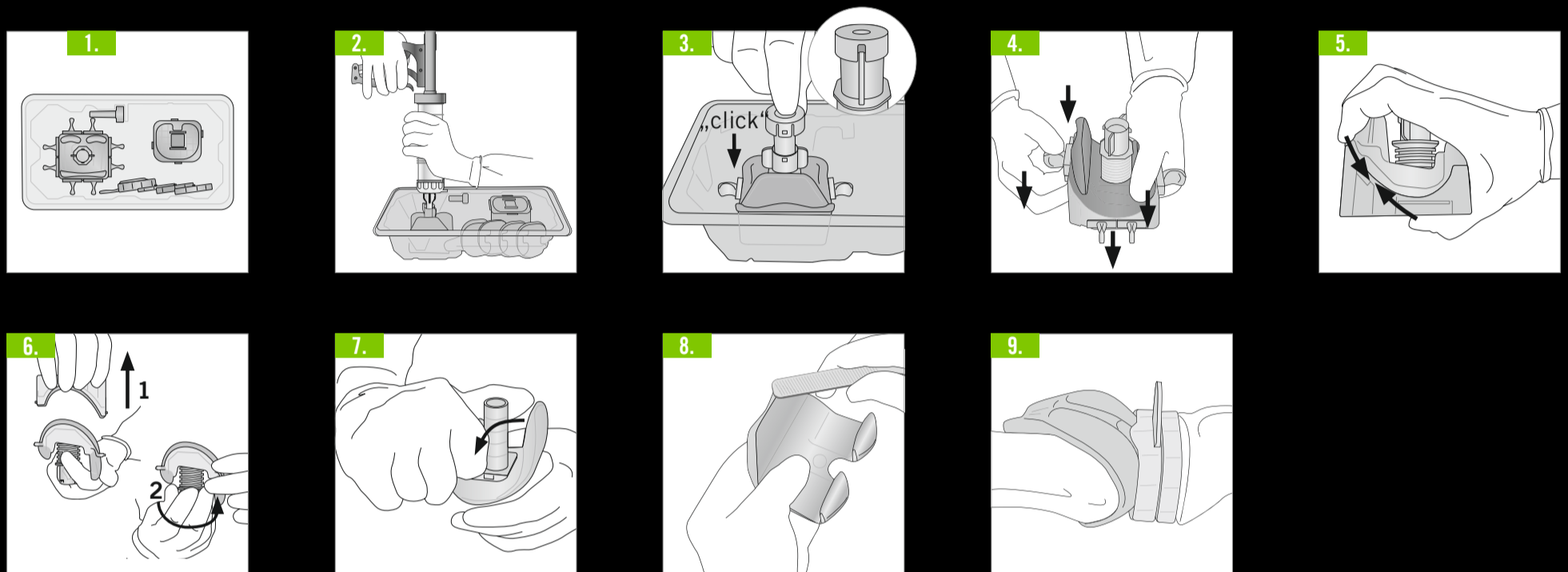
COPAL[®] knee moulds

Moulds for temporary knee spacer

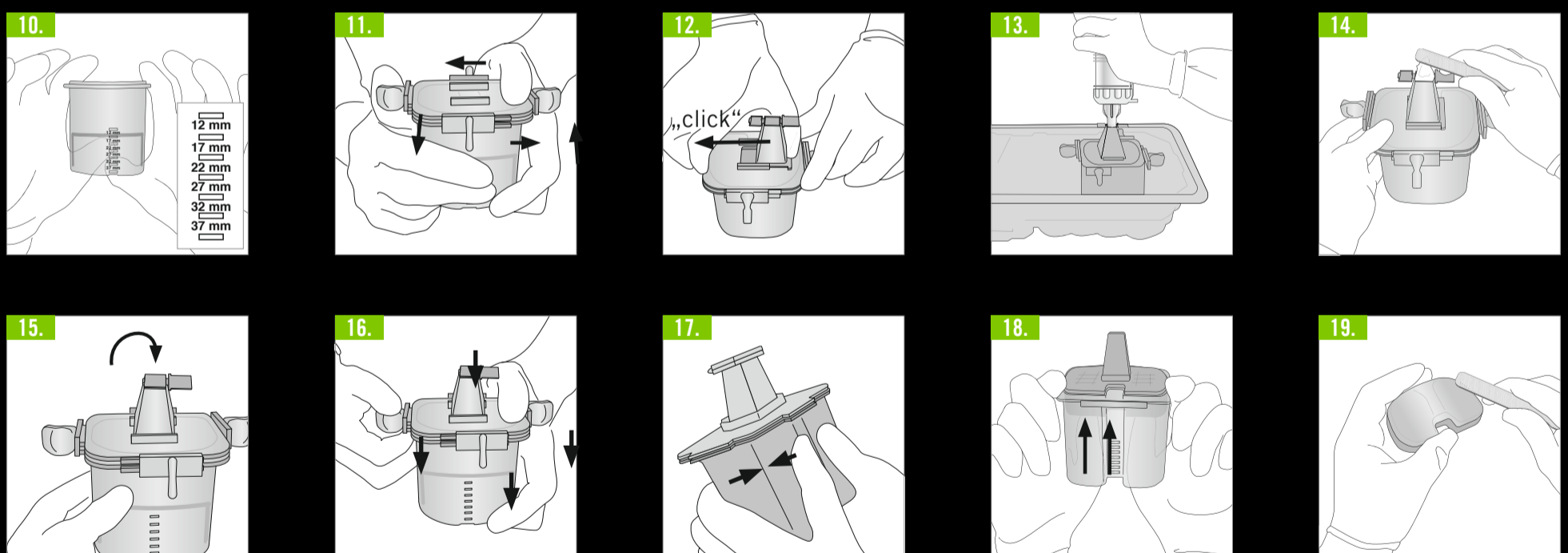


COPAL[®] knee moulds – preparation of the spacer

Femoral component



Tibia component



For the exact processing times, refer to the instructions for use of the bone cement manufacturer.