

# PALAMIX®

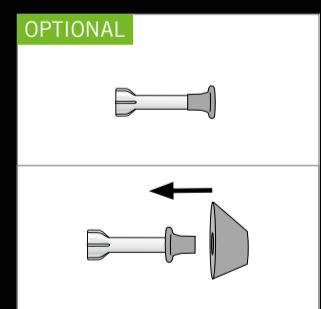
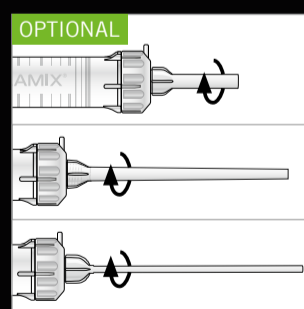
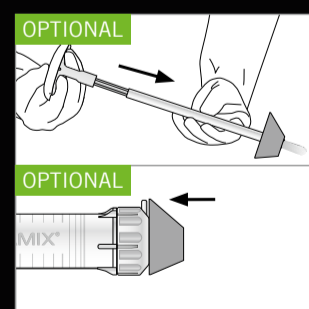
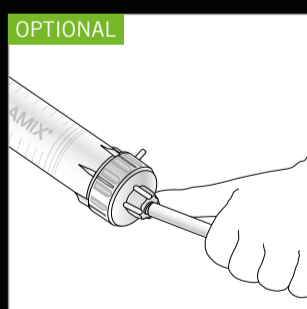
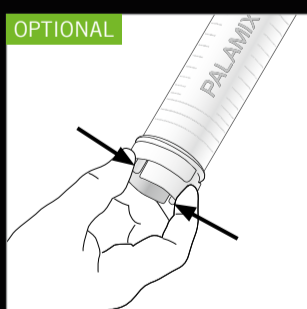
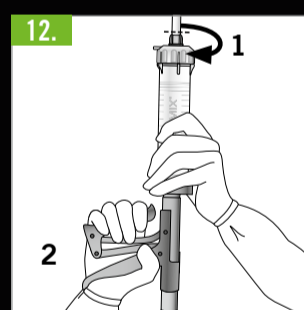
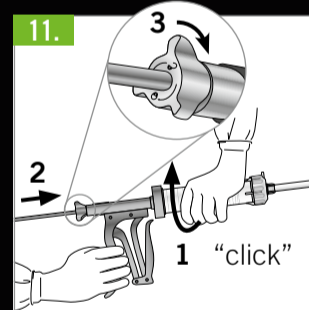
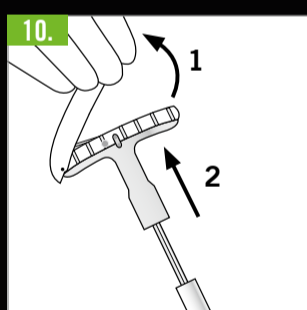
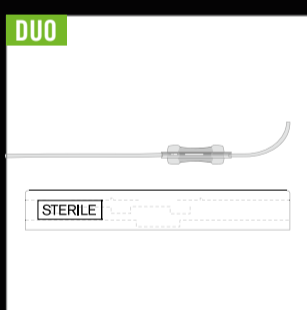
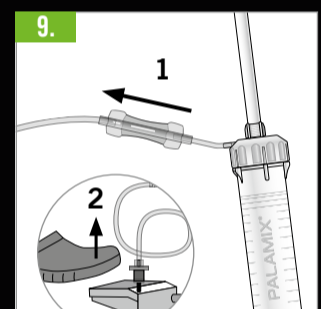
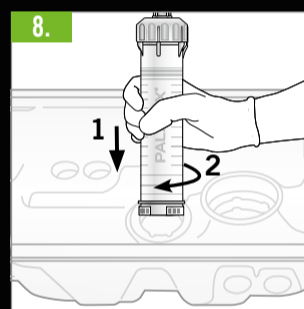
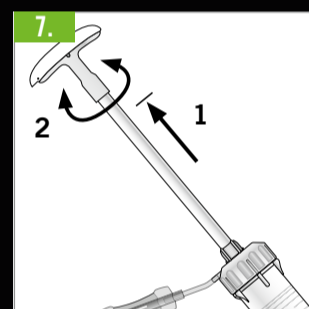
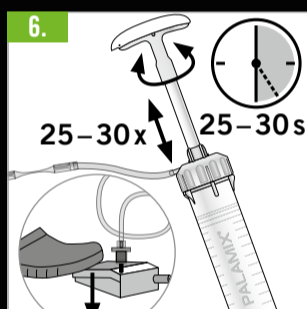
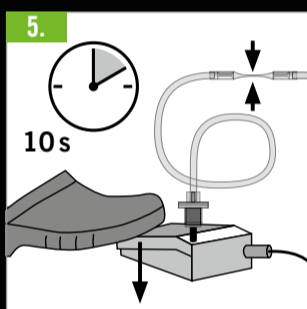
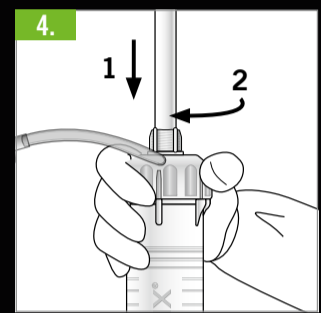
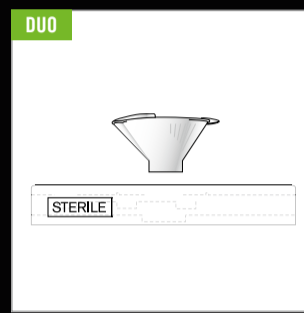
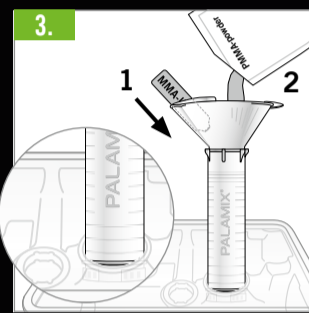
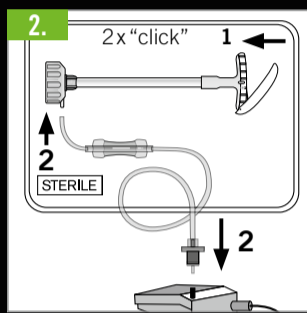
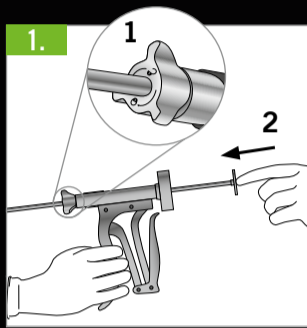
Vacuum mixing system  
with collection under vacuum



# PALAMIX®

Handling Guideline

## preparation, mixing, application



For exact mixing times, refer to the instructions for use of the bone cement manufacturer.